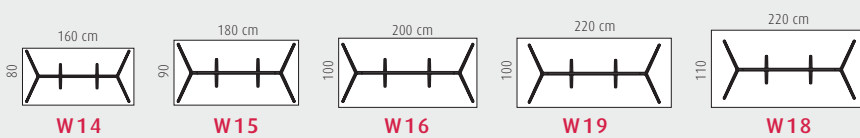
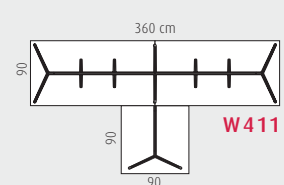


• ARKITEK

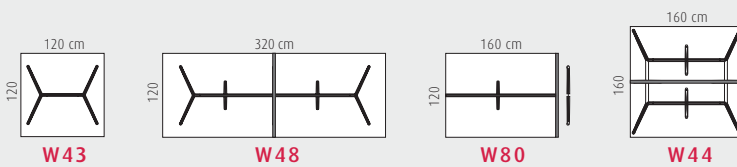
• Individual and meeting desks



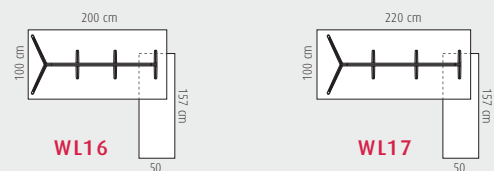
• Desk with shared return desk



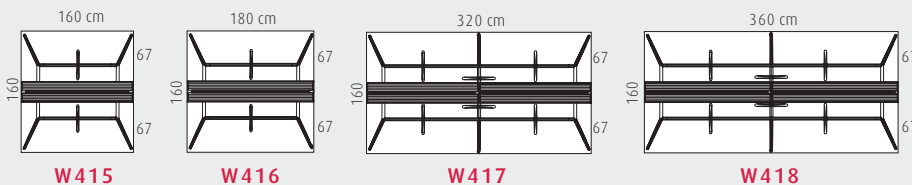
• Meeting tables



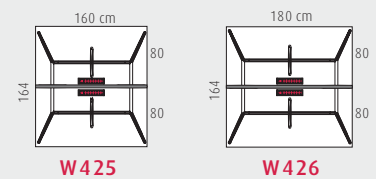
• Executive desk supported by Block storage unit



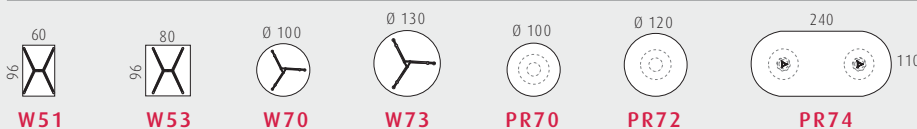
• Twin desks with full length top access cable tray



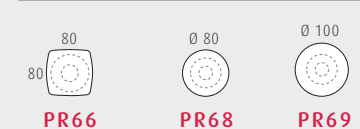
• Twin desks with 500 mm cable access



• Circular meeting



• Coffee tables



• TECHNICAL FEATURES

Frame:



Moulded aluminium frame available in silver or white coating, polished and polished+chromed finishes. The legs are moulded aluminium and the beams are extruded aluminium.

Optional aluminium modesty panel:



Leg Supports:

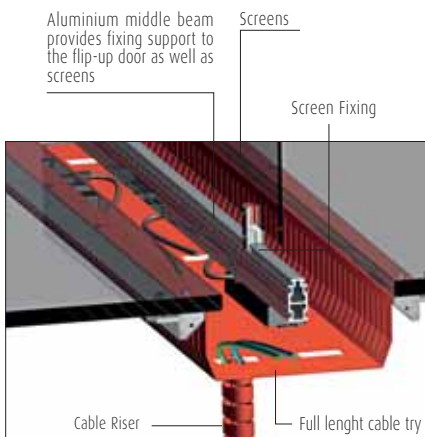


Total desk height: 74,5 cm.

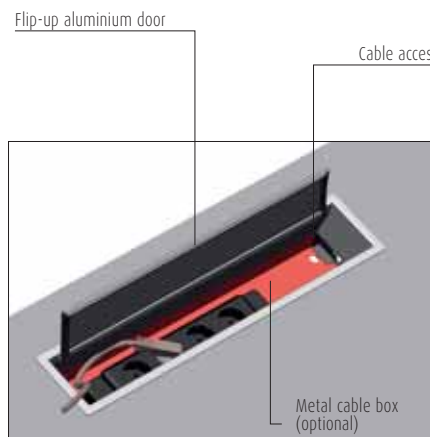
Moulded aluminium levelling support chromed. Each leveller includes anti-skid pad.

Cable management options:

• Full lenght:



• Cable box:



Two innovative cable management options providing effective cable management solutions. On the central beam you can fit screens, toolbars and lighting.

• DESK-TOP FINISHES

MFC:

19 mm melamine faced board with 3 mm thermofused ABS edge with a 2 mm radius.



Compact Laminated:

13 mm compact laminated top, contrast edge and double sided white or wengue face finish.



Glass:

5+5 mm and 6+6 mm laminated security glass.



NEW